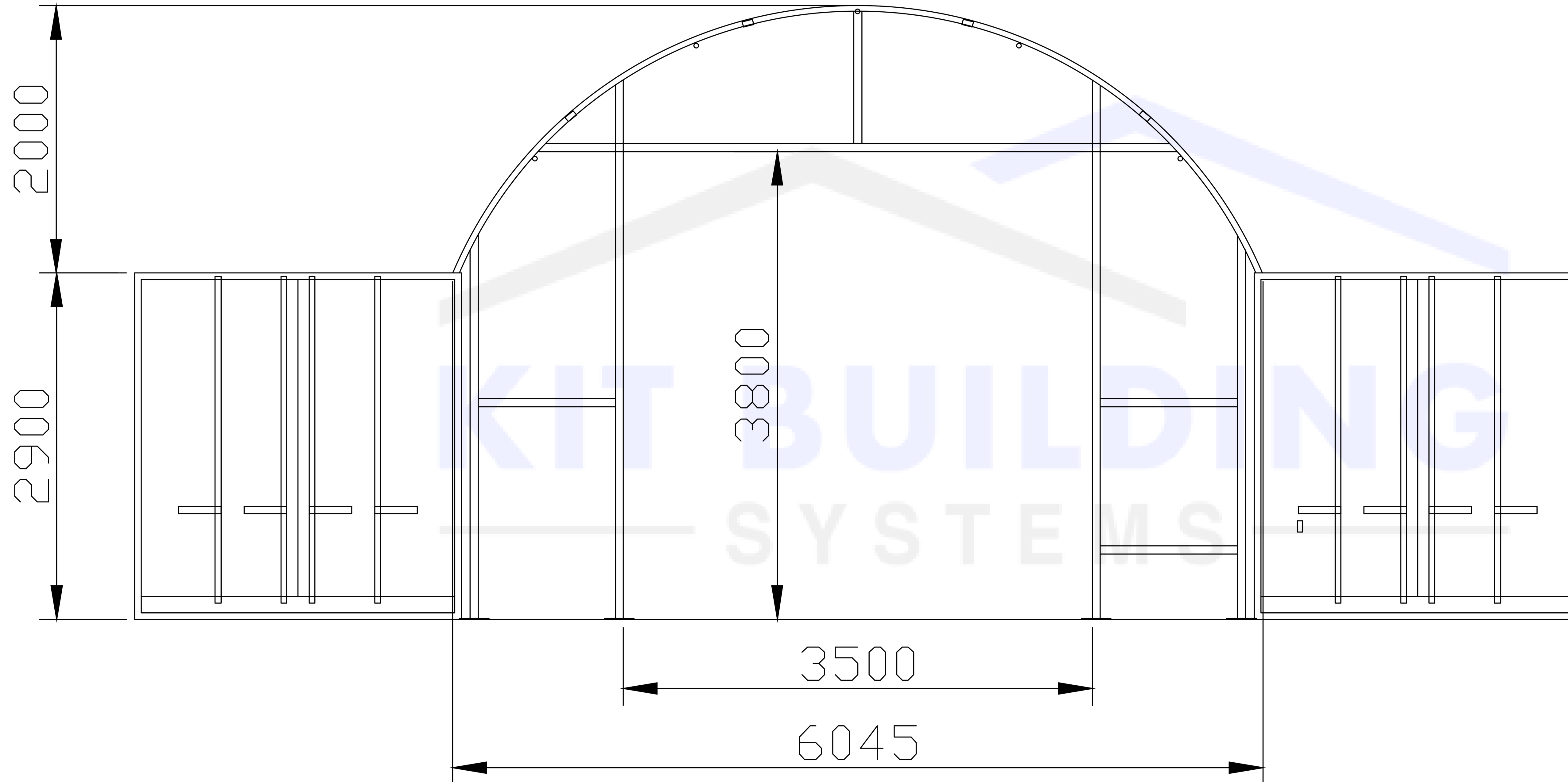


Container Canopy



PROJECT TITLE

Container Canopy
6m x 6m x 2m | 20' x 20' x 6'5"
Width x Depth x Height

NOTES

WORKING DRAWING

DRAWING BY: Dawid Chomicz

CHECKED BY: Cameron Newbold

PROJECT: CC-PVC-RST-662-GREY

SCALE N.T.S

15.08.2025

Width: 6m | 20'
Depth: 6m | 20'
Eave Height: 2.9m | 9'5"
Overall Height: 2m | 6'5"
Arch Distance: 1.5m | 5'
Opening Clearance: 3.8m | 12'5"

REVISIONS

Sr.	DESCRIPTION	DATE
		15.08.2025

CLIENT

Container Canopy
Standard Model

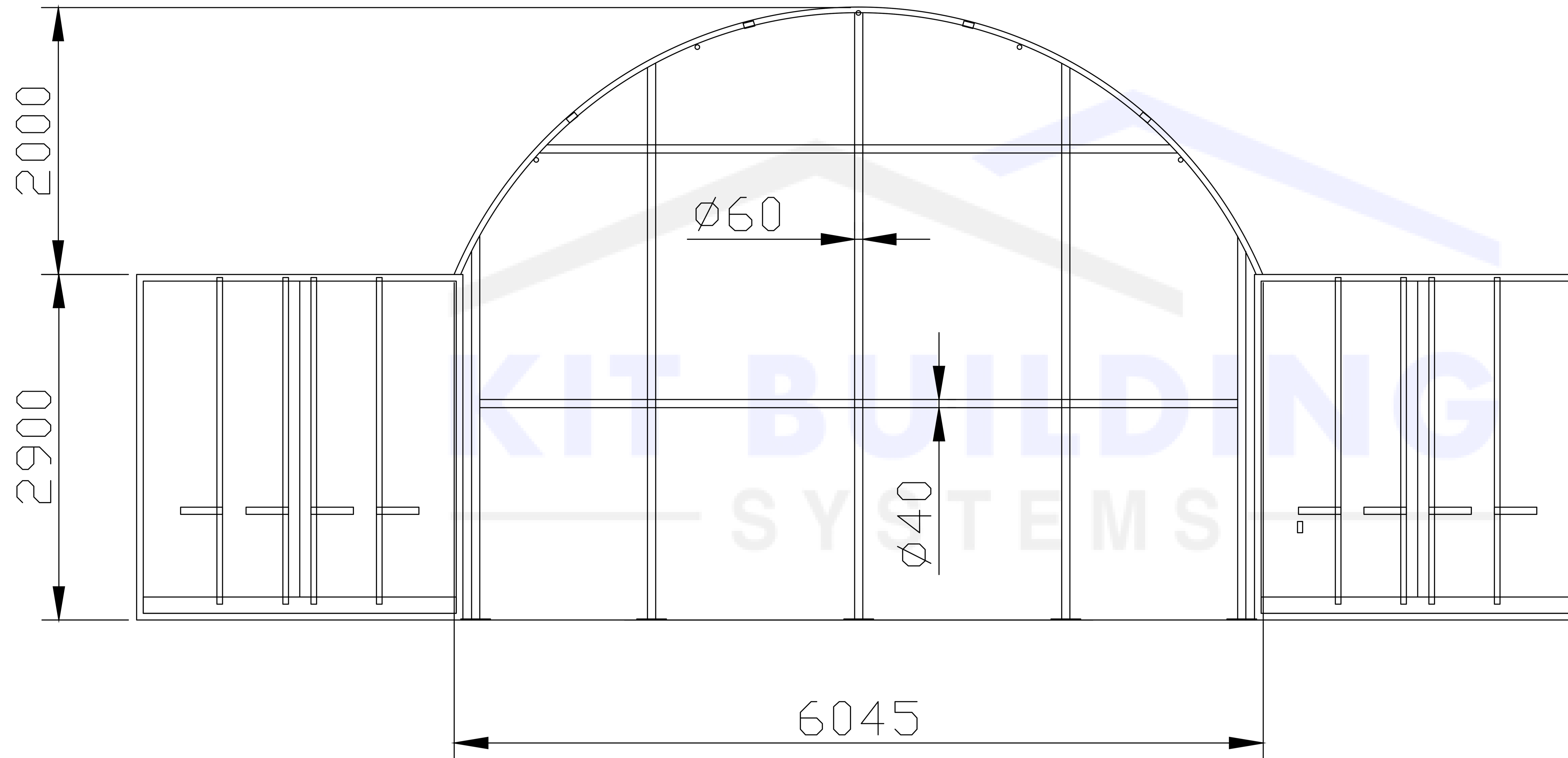
Steel Frame: CHS Single Truss	Covering: 610g/m ² 22oz/sq yd	Arch Tube Thickness: 45mm x 1.5mm 1.77" x x 0.06"	Purling Tube Thickness: 32mm x 1.2mm 1.26" x x 0.05"	Eave Height: 2.9m 9'5"	Opening/Shutter Size WxH: 3.5m x 3.8m 11'5" x 12'5"
-------------------------------------	--	---	--	-----------------------------	---

Shutter Type: Winch operated shutter	Pedestrian door WxH Quantity: N/A Size: N/A Material: N/A
---	--

PAGE 1 OF 3

KIT BUILDING
— SYSTEMS —
WWW.KITBUILDINGS.COM

Container Canopy



PROJECT TITLE

Container Canopy
6m x 6m x 2m | 20' x 20' x 6'5"
Width x Depth x Height

NOTES

WORKING DRAWING

DRAWING BY: Dawid Chomicz

CHECKED BY: Cameron Newbold

PROJECT: CC-PVC-RST-662-GREY

SCALE N.T.S

15.08.2025

Width: 6m | 20'
Depth: 6m | 20'
Eave Height: 2.9m | 9'5"
Overall Height: 2m | 6'5"
Arch Distance: 1.5m | 5'
Opening Clearance: 3.8m | 12'5"

REVISIONS

Sr.	DESCRIPTION	DATE
		15.08.2025

CLIENT

Container Canopy
Standard Model

Steel Frame: CHS Single Truss	Covering: 610g/m ² 22oz/sq yd	Arch Tube Thickness: 45mm x 1.5mm 1.77" x x 0.06"	Purling Tube Thickness: 32mm x 1.2mm 1.26" x x 0.05"	Eave Height: 2.9m 9'5"	Opening/Shutter Size WxH: 3.5m x 3.8m 11'5" x 12'5"
-------------------------------------	--	---	--	-----------------------------	---

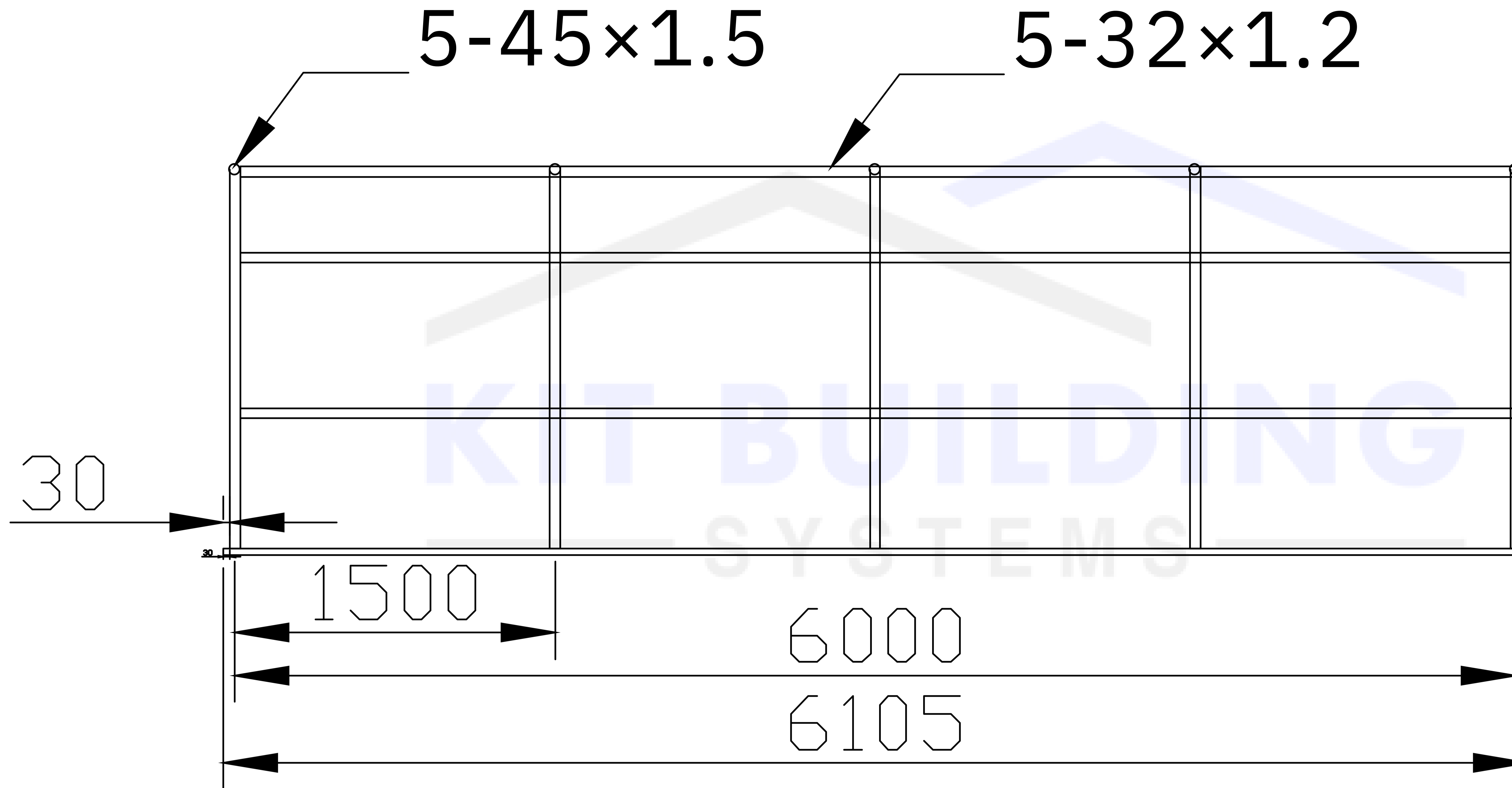
Shutter Type: Winch operated shutter	Pedestrian door WxH Quantity: N/A Size: N/A Material: N/A
---	--

PAGE 2 OF 3

BACK ELEVATIONS

KIT BUILDING
—SYSTEMS—
WWW.KITBUILDINGS.COM

Container Canopy



PROJECT TITLE

Container Canopy
6m x 6m x 2m | 20' x 20' x 6'5"
Width x Depth x Height

NOTES

WORKING DRAWING

DRAWING BY: Dawid Chomicz

CHECKED BY: Cameron Newbold

PROJECT: CC-PVC-RST-662-GREY

SCALE N.T.S

15.08.2025

Width: 6m | 20'
Depth: 6m | 20'
Eave Height: 2.9m | 9'5"
Overall Height: 2m | 6'5"
Arch Distance: 1.5m | 5'
Opening Clearance: 3.8m | 12'5"

REVISIONS

Sr.	DESCRIPTION	DATE
		15.08.2025

CLIENT

Container Canopy
Standard Model

Steel Frame: CHS Single Truss	Covering: 610g/m ² 22oz/sq yd	Arch Tube Thickness: 45mm x 1.5mm 1.77" x x 0.06"	Purling Tube Thickness: 32mm x 1.2mm 1.26" x x 0.05"	Eave Height: 2.9m 9'5"	Opening/Shutter Size WxH: 3.5m x 3.8m 11'5" x 12'5"
-------------------------------------	--	---	--	-----------------------------	---

Shutter Type:

Winch operated shutter

Pedestrian door WxH

Quantity: N/A

Size: N/A

Material: N/A

PAGE 3 OF 3

SIDE ELEVATIONS

KIT BUILDING
— SYSTEMS —
WWW.KITBUILDINGS.COM