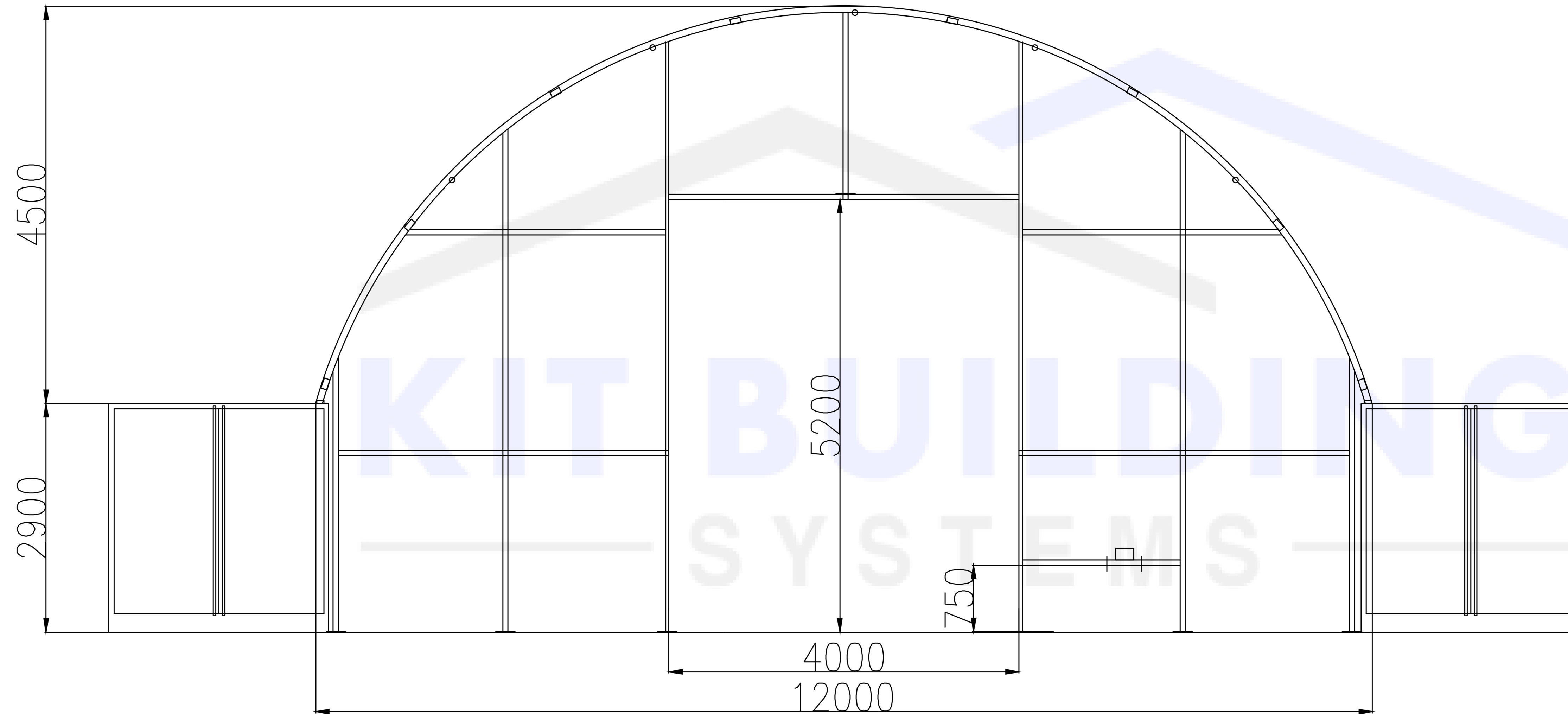


Container Canopy



PROJECT TITLE

Container Canopy
12m x 12m x 4.5m | 40' x 40' x 15'
Width x Depth x Height

NOTES

WORKING DRAWING

DRAWING BY: Dawid Chomicz

CHECKED BY: Cameron Newbold

PROJECT: CC-PVC-RST-10636-GREY

SCALE N.T.S

27.08.2025

Width: 12m | 40'
Depth: 12m | 40'
Eave Height: 2.9m | 9'5"
Overall Height: 4.5m | 15'
Arch Distance: 2m | 6'6"
Opening Clearance: 5.2m | 17'

REVISIONS

Sr.	DESCRIPTION	DATE
		27.08.2025

CLIENT

Container Canopy
Standard Model

Steel Frame: CHS Single Truss	Covering: 610g/m ² 22oz/sq yd	Arch Tube Thickness: 76mm x 2mm 2.99" x x 0.08"	Purling Tube Thickness: 60mm x 1.5mm 2.36" x x 0.06"	Eave Height: 2.9m 9'5"	Opening/Shutter Size WxH: 4m x 5.2m 13'1" x 17'
-------------------------------------	--	---	--	-----------------------------	---

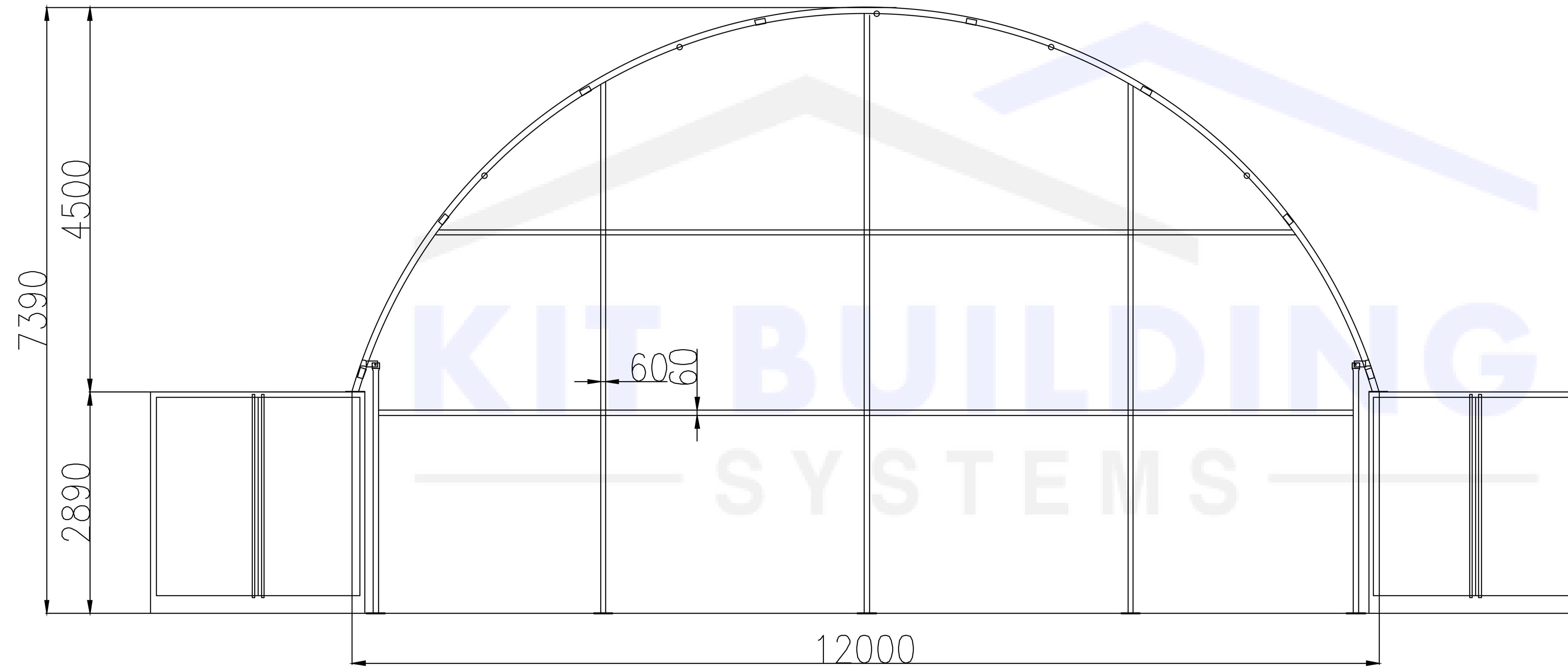
Shutter Type: Winch operated shutter	Pedestrian door WxH Quantity: N/A Size: N/A Material: N/A
---	--

PAGE 1 OF 3

FRONT ELEVATIONS

KIT BUILDING
— SYSTEMS —
WWW.KITBUILDINGS.COM

Container Canopy



PROJECT TITLE

Container Canopy
12m x 12m x 4.5m | 40' x 40' x 15'
Width x Depth x Height

NOTES

WORKING DRAWING

DRAWING BY: Dawid Chomicz

CHECKED BY: Cameron Newbold

PROJECT: CC-PVC-RST-10636-GREY

SCALE N.T.S

27.08.2025

Width: 12m | 40'
Depth: 12m | 40'
Eave Height: 2.9m | 9'5"
Overall Height: 4.5m | 15'
Arch Distance: 2m | 6'6"
Opening Clearance: 5.2m | 17'

REVISIONS

Sr.	DESCRIPTION	DATE
		27.08.2025

CLIENT

Container Canopy
Standard Model

KIT BUILDING
— SYSTEMS —
WWW.KITBUILDINGS.COM

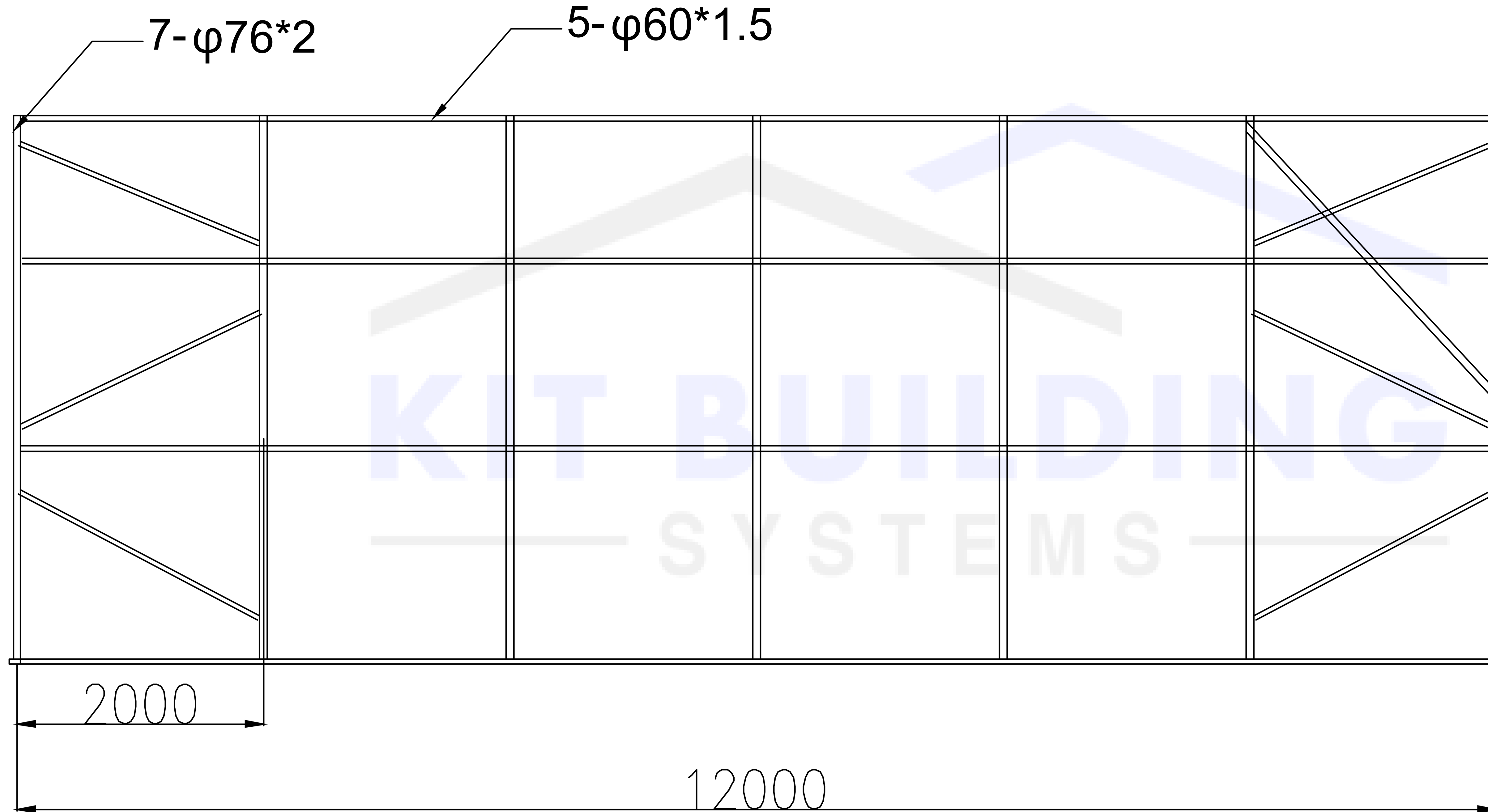
Steel Frame: CHS Single Truss	Covering: 610g/m ² 22oz/sq yd	Arch Tube Thickness: 76mm x 2mm 2.99" x x 0.08"	Purling Tube Thickness: 60mm x 1.5mm 2.36" x x 0.06"	Eave Height: 2.9m 9'5"	Opening/Shutter Size WxH: 4m x 5.2m 13'1" x 17'
-------------------------------------	--	---	--	-----------------------------	---

Shutter Type: Winch operated shutter	Pedestrian door WxH Quantity: N/A Size: N/A Material: N/A
---	--

PAGE 2 OF 3

BACK ELEVATIONS

Container Canopy



PROJECT TITLE

Container Canopy
12m x 12m x 4.5m | 40' x 40' x 15'
Width x Depth x Height

NOTES

WORKING DRAWING

DRAWING BY: Dawid Chomicz

CHECKED BY: Cameron Newbold

PROJECT: CC-PVC-RST-10636-GREY

SCALE N.T.S

27.08.2025

Width: 12m | 40'
Depth: 12m | 40'
Eave Height: 2.9m | 9'5"
Overall Height: 4.5m | 15'
Arch Distance: 2m | 6'6"
Opening Clearance: 5.2m | 17'

REVISIONS

Sr.	DESCRIPTION	DATE
		27.08.2025

CLIENT

Container Canopy
Standard Model

KIT BUILDING
— SYSTEMS —
WWW.KITBUILDINGS.COM

Steel Frame: CHS Single Truss	Covering: 610g/m ² 22oz/sq yd	Arch Tube Thickness: 76mm x 2mm 2.99" x x 0.08"	Purling Tube Thickness: 60mm x 1.5mm 2.36" x x 0.06"	Eave Height: 2.9m 9'5"	Opening/Shutter Size WxH: 4m x 5.2m 13'1" x 17'
-------------------------------------	--	---	--	-----------------------------	---

Shutter Type: Winch operated shutter	Pedestrian door WxH Quantity: N/A Size: N/A Material: N/A
---	--

PAGE 3 OF 3

SIDE ELEVATIONS